

COMPONENTS OF THE SYSTEM X RANGE

BT8390 MOUNTING RAIL

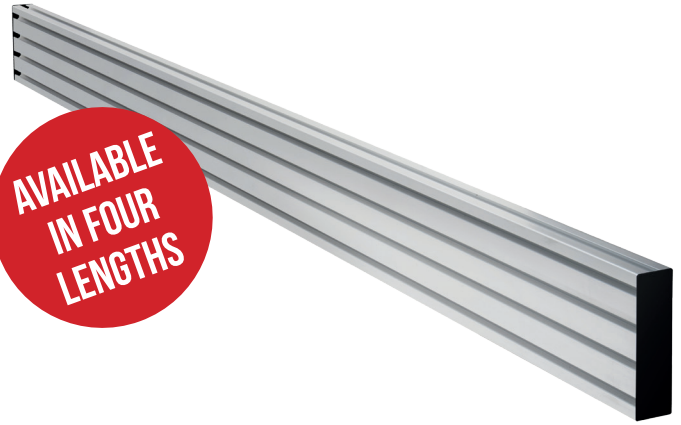
BT8390 horizontal mounting rails are lightweight yet incredibly strong and are designed to support multi-screen installations. Available in 0.7, 1.5, 1.75 or 2m lengths, BT8390 rails can be mounted directly to walls or onto BT8380 Vertical Columns. Rails can also be joined together using the BT8390-EXT extension kit to create longer length mounting rails.

FEATURES

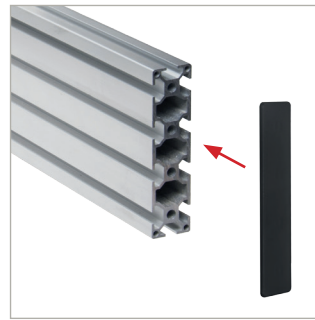
- Available in 4 set lengths, 0.7, 1.5, 1.75 and 2m
- End caps supplied to create an attractive finish to the installation
- All mounting hardware included

SPECIFICATION

Max Load	50kg (per screen)
BT8390-070 Length	0.7m
BT8390-150 Length	1.5m
BT8390-175 Length	1.75m
BT8390-200 Length	2m
Colour	Silver



AVAILABLE
IN FOUR
LENGTHS



End caps supplied with every mounting rail for a tidy finish



Rail design provides strength whilst being very lightweight

BT8390-EXT EXTENSION KIT

The BT8390-EXT is an extension kit used to join System X mounting rails together to create larger menu board and video wall installations. The kit consists of 6 steel couplers which provide great strength to the join, making the finished rail act like a single piece.

FEATURES

- Grubs screws securely join rails together
- Multiple rails can be joined together to create an extended install
- All mounting hardware included



Grub screws securely join rails together



Provides the strength to make the combined rails act like a single piece



JOIN RAILS
TOGETHER



SPECIFICATION

Couplers Included	6
Colour	Silver

TECHNICAL DRAWINGS



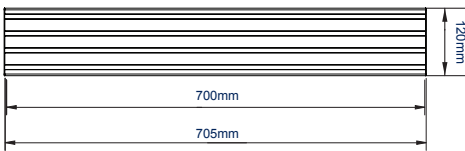
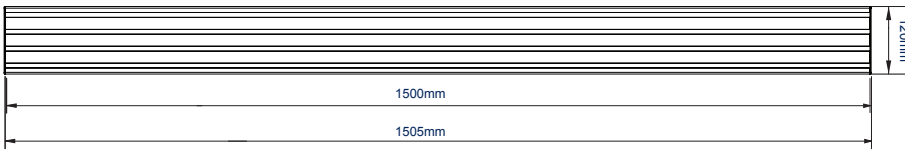
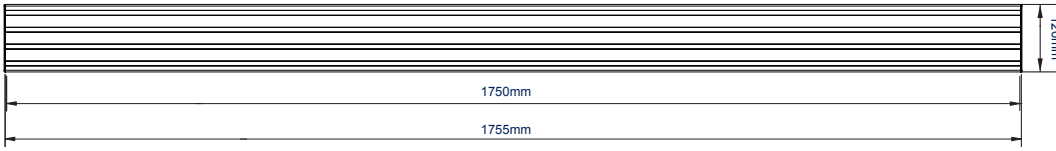
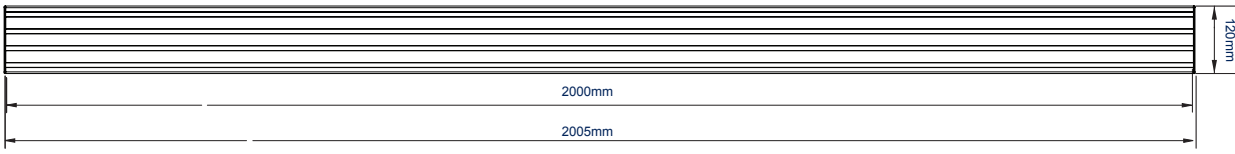
MOUNTING RAILS

BT8390-070
70CM

BT8390-150
150CM

BT8390-175
175CM

BT8390-200
200CM



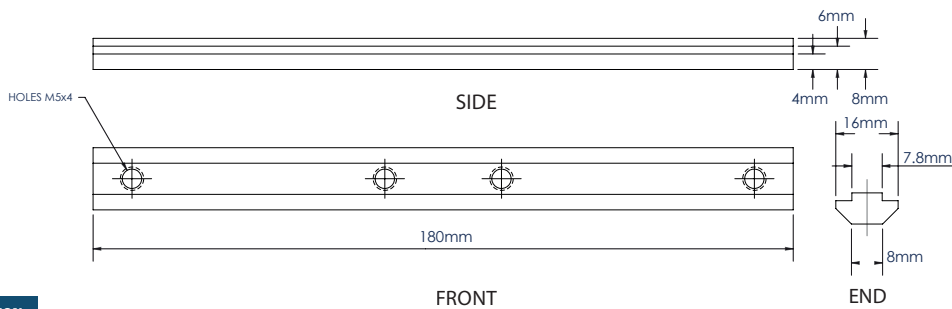
DISTANCE BETWEEN SLOTS



END CAP

EXTENSION KIT

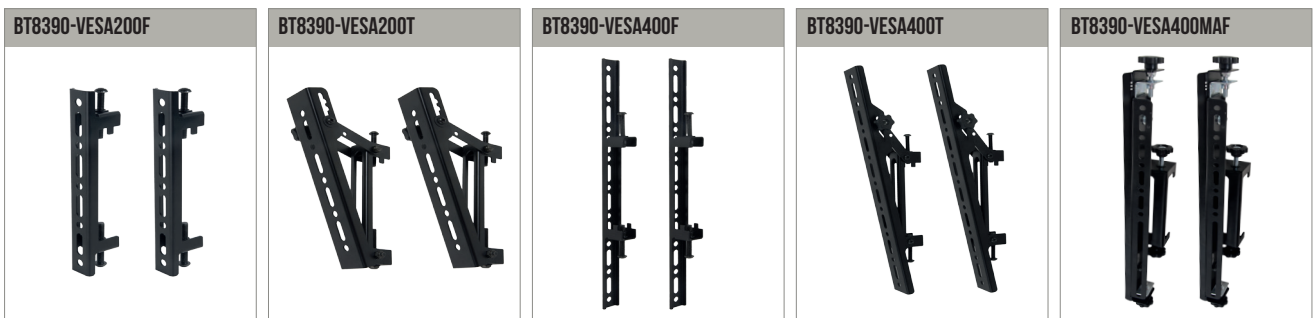
BT8390-EXT



PACKING INFORMATION

COLOUR:	ORDER REF:	EAN CODE:	MASTER CARTON QTY:	INNER CARTON QTY:	MASTER CARTON WEIGHT:	MASTER CARTON CUBE
Silver	BT8390-070/S	5019318501128	1	0	4kg	0.016cbm
Silver	BT8390-150/S	5019318501142	1	0	6kg	0.033cbm
Silver	BT8390-175/S	5019318501166	1	0	7kg	0.038cbm
Silver	BT8390-200/S	5019318501180	1	0	8kg	0.043cbm
Silver	BT8390-EXT/S	5019318501296	1	0	0.3kg	0.001 cbm

RELATED PRODUCTS



VESA® 200 Fixed Interface Arms
For all fixings up to 200mm*

VESA® 200 Interface Arms with Tilt
For all fixings up to 200mm*

VESA® 400 Fixed Interface Arms
For all fixings up to 400mm*

VESA® 400 Interface Arms with Tilt
For all fixings up to 400mm*

VESA® 400 Fixed Interface Arms with Micro-Adjustment
For all fixings up to 400mm*

*Please note the VESA specification refers to the vertical dimension only, arms can be spaced apart as wide as necessary.

© 2015 B-Tech Professional Limited. All rights reserved.
The information in this specification is for reference only. It is not intended to be used as a substitute for the manufacturer's instructions. B-Tech Professional Limited is not responsible for any damage or loss of data caused by the use of this product. B-Tech Professional Limited is not responsible for any damage or loss of data caused by the use of this product. B-Tech Professional Limited is not responsible for any damage or loss of data caused by the use of this product.